



무용접 피팅 프레스 락(Presslok)

(주)키텍코리아

www.keytechkorea.co.kr

에반스(Evans)의 한국 공식 판매 및 서비스 센터임.

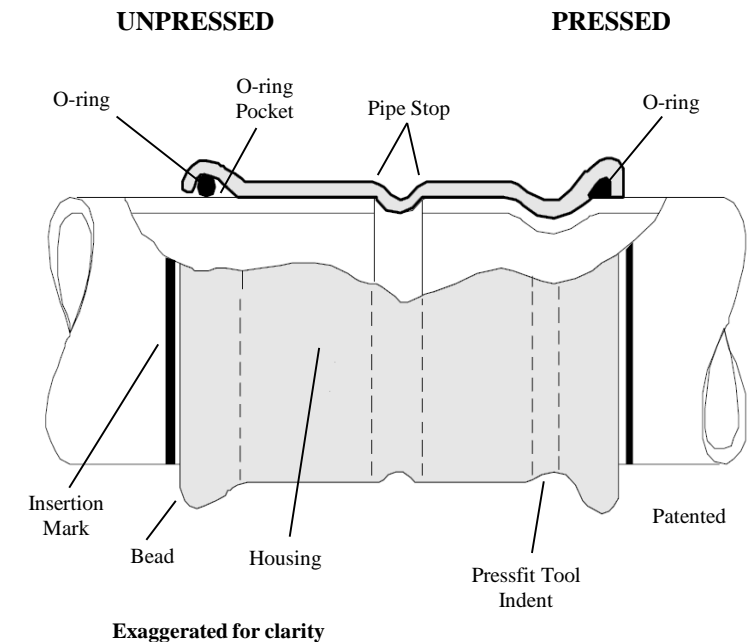
대표 최상훈 010-5256-1185

keytechkorea@naver.com

Distributor in Korea, www.evanscomponents.com

PCW 와 CDA라인 무용접 피팅

- 프레스락(Presslok)은 현존 가장 단순 조립되는 무용접 피팅임 (industrial first) .
- PLI Series: 304L 일반용 (개별 폴리백 포장)
- PLHT Series: 316L CFOS cleaned (핑크색 폴리백에 개별 포장)
- 사이즈: ½"-4"까지의 튜브 사이즈에 적용됨.
- 압력 등급 300 psig (½" – 1-1/2")
- 압력 등급 200 psig (2" – 4")
- 보증된 헬륨 누설율: 1×10^{-7} scc/sec
(물이나 CDA라인 피팅엔 통상 질소 누설율 사용함.)



프레스 락(Presslok): 피팅과 밸브도 공급

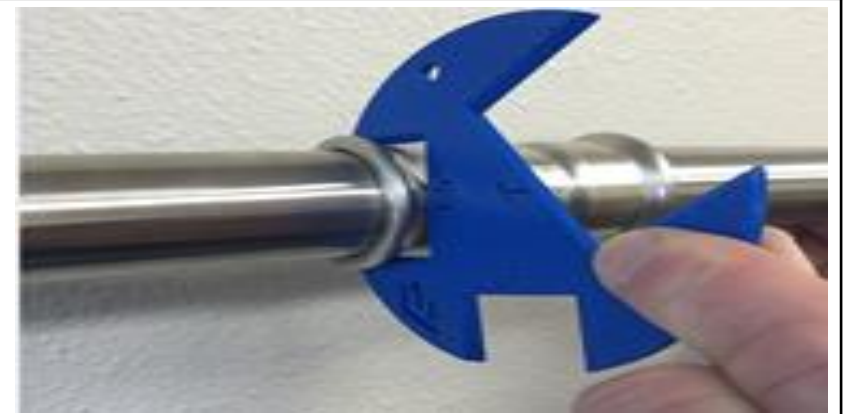


단순 무용접 피팅 연결: 누설율 He: 10⁻⁷ SCCS임

프레스 락(Presslok): 피팅과 밸브도 공급

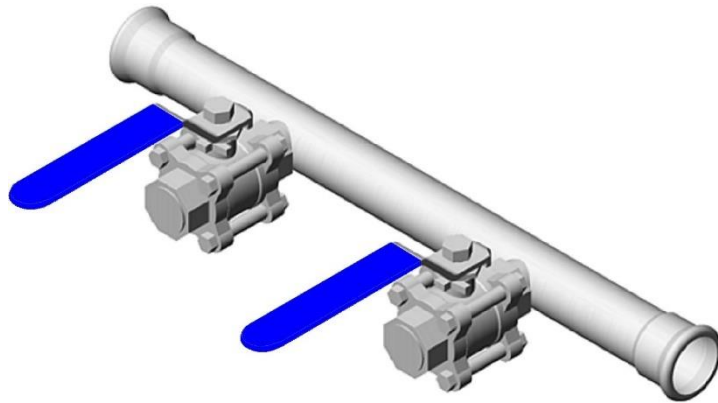
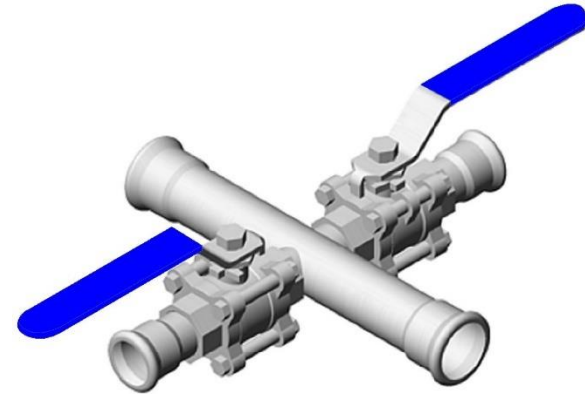
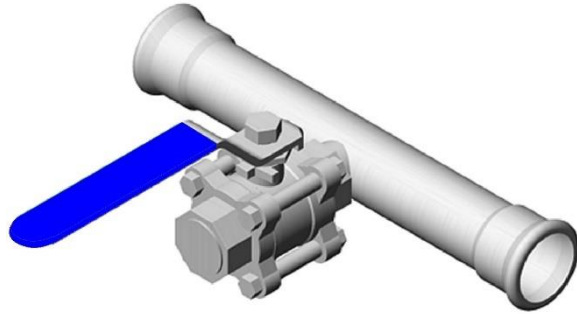


PRESSLOK® 게이지



게이지가 조여진 부위에 맞으면
잘 조여진 것임.
(만약 조여진 부위에 안들어 가면 잘못
조립된 것임.)

프레스락(Presslok) 일체형 밸브 공급



프레스락 버터 플라이 밸브 (Presslok Butterfly)



SB Series (Stainless)

- 2"- 4" Sizes
- PTFE Seat with stainless disc & stem
- Optional CFOS Cleaning and Bagging
- 3-pc Wafer style with Presslok® or Tube Extensions
- Optional Purge Ports or Purge Valve
- Helium leak tested to 1×10^{-7} scc/sec
- Reduced installation cost

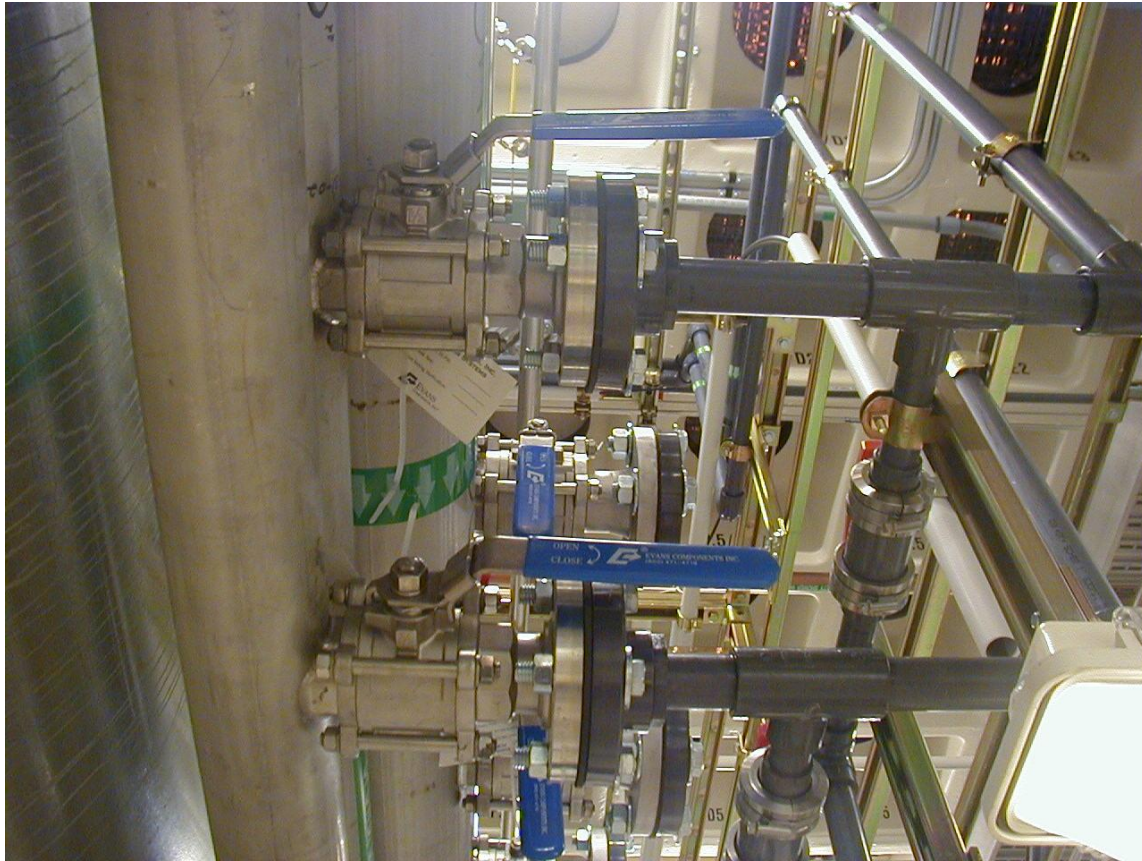
DB Series (Epoxy Coated Ductile Iron)

- 2"- 4" Sizes
- EPDM Seat with stainless disc & stem
- 3-pc Full-Lug with Presslok®, Tube or Pipe Extensions
- Helium leak tested to 1×10^{-7} scc/sec
- Reduced installation cost

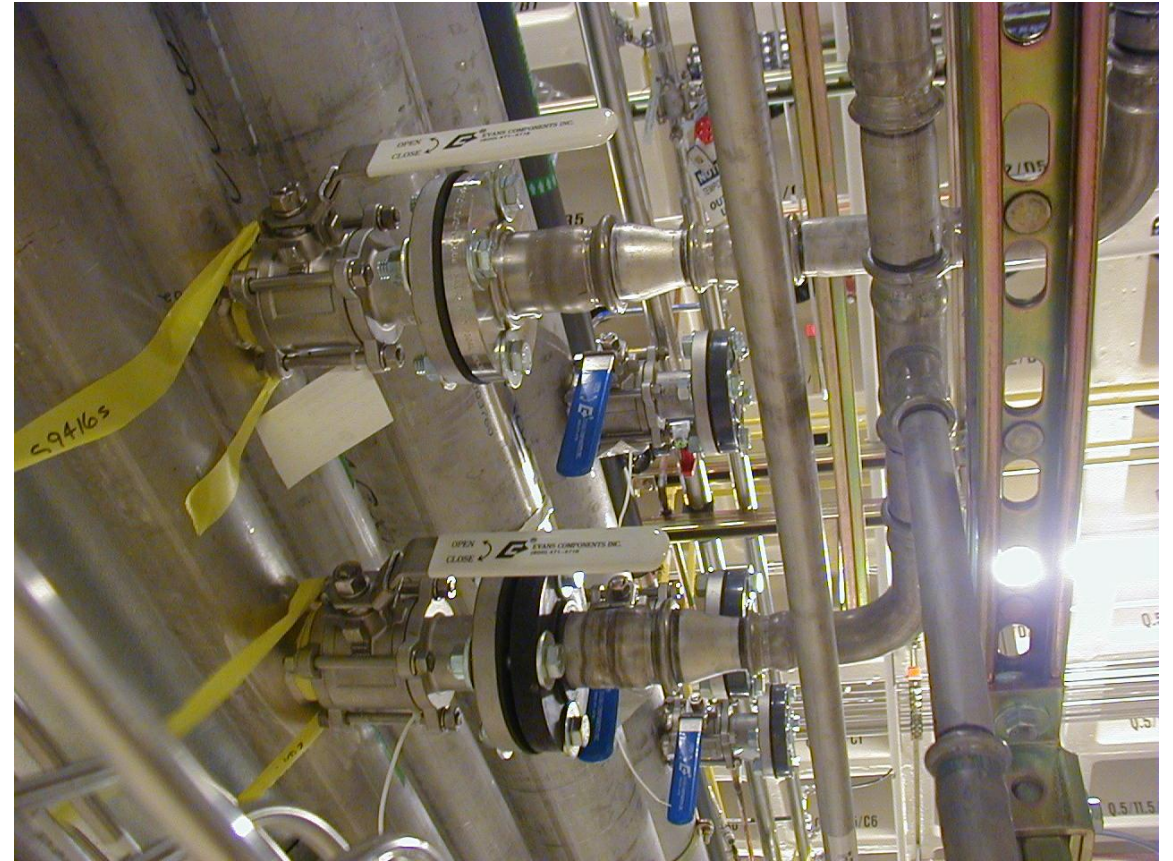
적용 예: 버터 플라이 밸브로 구성한CDA 라인



적용 예: PCW 레터럴 연결

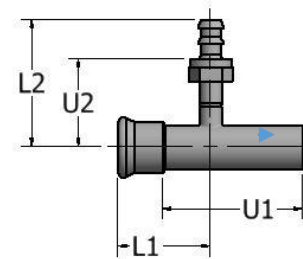
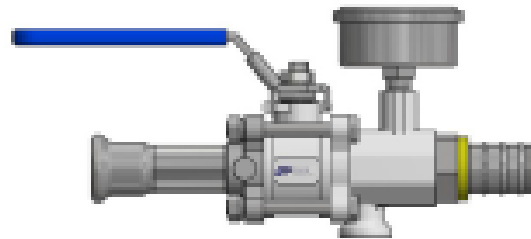
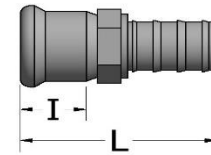


PVC/CPVC hook-up

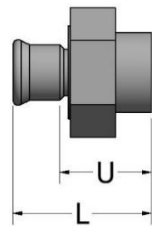
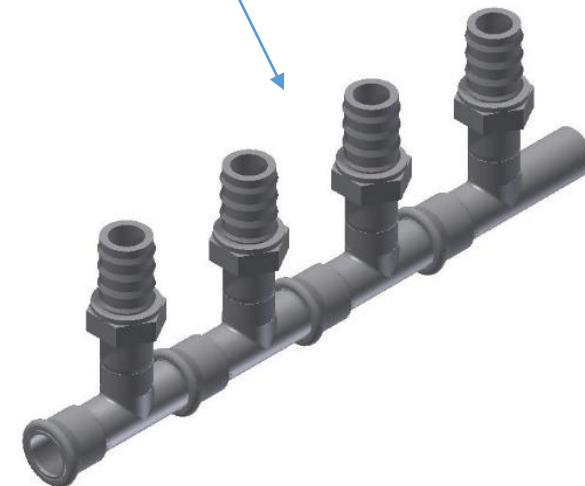


304L Presslok hook-up

프레스락 PCW Water Stick & Hose 연결 피팅



Manifold Fittings

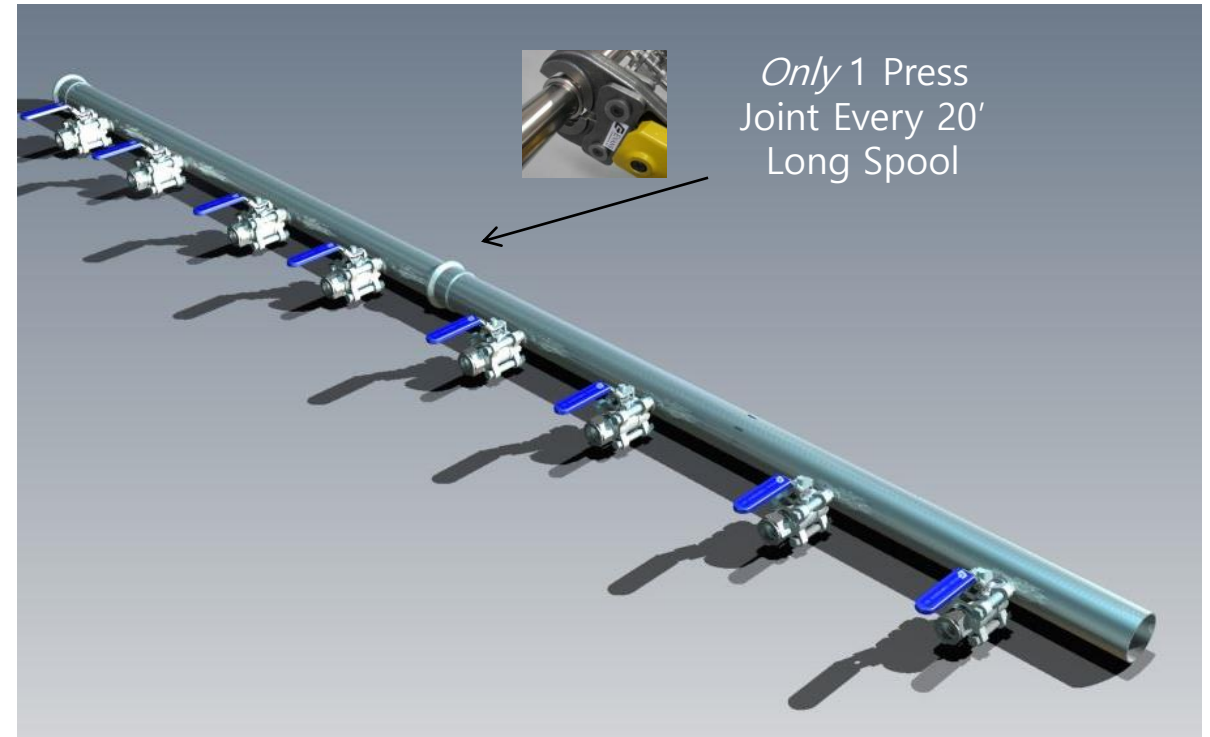


PVC/CPVC x
Presslok Adapter

프레스락과 용접 비교 : CFOS spool 아래 와 같은 라인 구성시엔

PLHT Series (O2 Cleaned, HP bagged)

- 낮은 설치 비용
- 획기적 설치 시간 단축
- 용접 작업 불필요
- 보증된 He 누설율: 10⁻⁷ sccs



프레스락 툴 (Presslok Tool)



700M Series (Sizes ½" - 1")



701 Series (Sizes ½" thru 3")



2-piece Jaw
2.5" - 4"



801 Series (2-1/2"
- 4") tool & jaws
sold separately

ASTM F1387 프레스락(Presslok) 테스트 통과

Pneumatic Proof: Fittings pressurized with N2 to 120% of rated working pressure and tested for leaks

Hydrostatic Proof: Fittings pressurized with water to 150% of rated working pressure and monitored for leaks

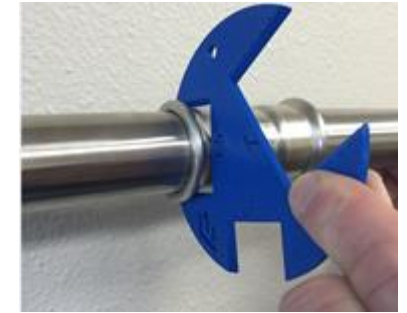
Impulse: After passing the first two tests the fittings are cycled with water at a rate of one cycle every 3-6 seconds. Fittings are pressurized 135% of rated pressure then depressurized. Test is completed after 1,000,000 cycles

Flexure Fatigue: Flexure stress levels were set at 2%, fatigue tests were conducted for 30,000 cycles at a rate of two cycles per second. Fittings were then filled with water and pressurized to working pressure.

Tensile: Fittings were placed in a constant strain rate tensile machine. Maximum applied load, shear stress and type of joint failure we assessed.

Hydrostatic Burst: Fittings were filled with water and burst tested to 3-times rated working pressure

PRESSLOK® GO/NO-G
O GAUGES



If Presslok® Go/No-Go Gauge slips over pressed section of fitting, press is acceptable. If gauge does not slip over pressed section, press is unacceptable.



www.evanscomponents.com



(주)키텍 코리아는 에반스(Evans)의
한국내 판매및 서비스 센터 입니다.
(T. 070-8871-1185)
E-mail: keytechkorea@naver.com

www.keytechkorea.co.kr